

# HOIST SWITCHES

## HY-P series



NEW

### Specifications


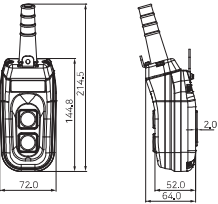

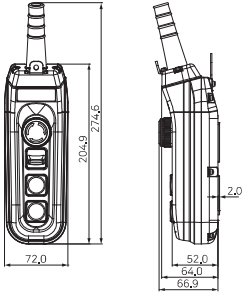
Model	HY-P1022B	HY-P1024BB HY-P1022SB	HY-P1026BBB HY-P1024SBB	HY-P1026SBBB	HY-P1028BBBB HY-P1028SBBBB	HY-P1029SBBB
	2 button	4 button/2 button +Push lock turn reset	6 button/4 button +Push lock turn reset	6 button/push lock turn reset +1 (switch)	8 button/push lock turn reset +1 (switch)	6 button/push lock turn reset + 3 (switch)
Degree of protection	IP65 (IEC 60529)					
Materials - Colors	Case	High impact ABS resin				
	Contacts	AgSnO2				
Insulation resistance	100 MΩ (500 V d.c.)					
Dielectric strength	2,000 V a.c. 1 minute (between charging and non-charging parts)					
Ambient temperature & humidity	-10 ~ 45 °C, 45 ~ 85 % RH (without condensation)					

### Suffix code


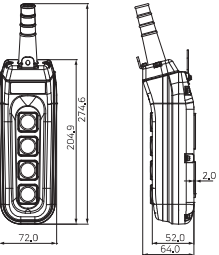

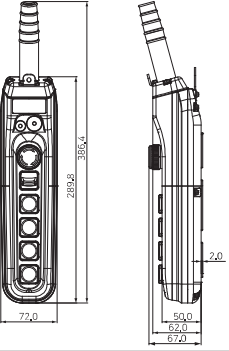

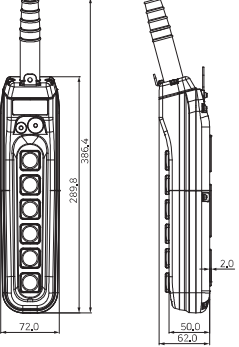

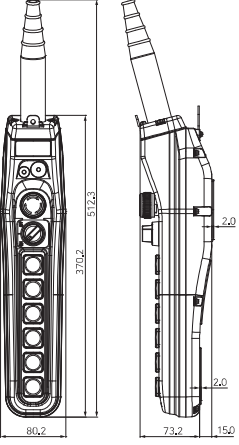

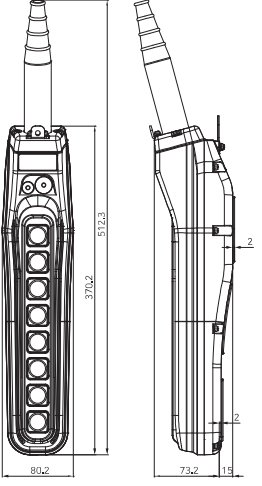

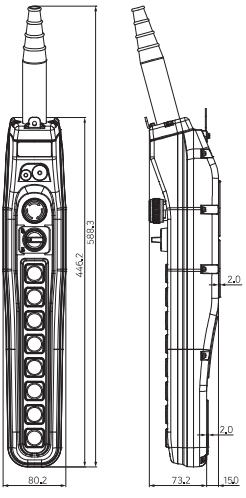

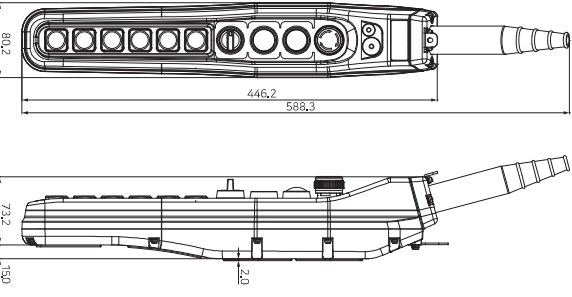
Model	Code								Content	
HY-	<input type="checkbox"/>	<input type="checkbox"/>	<input type="checkbox"/>	<input type="checkbox"/>	<input type="checkbox"/>	<input type="checkbox"/>	<input type="checkbox"/>	<input type="checkbox"/>	Hoist switch	
Number of buttons	P1022	<input checked="" type="checkbox"/>	<input checked="" type="checkbox"/>	<input checked="" type="checkbox"/>	<input checked="" type="checkbox"/>	<input checked="" type="checkbox"/>	<input checked="" type="checkbox"/>	<input checked="" type="checkbox"/>	2 buttons	
	P1024	<input checked="" type="checkbox"/>	<input checked="" type="checkbox"/>	<input checked="" type="checkbox"/>	<input checked="" type="checkbox"/>	<input checked="" type="checkbox"/>	<input checked="" type="checkbox"/>	<input checked="" type="checkbox"/>	4 buttons	
	P1026	<input checked="" type="checkbox"/>	<input checked="" type="checkbox"/>	<input checked="" type="checkbox"/>	<input checked="" type="checkbox"/>	<input checked="" type="checkbox"/>	<input checked="" type="checkbox"/>	<input checked="" type="checkbox"/>	6 buttons	
	P1028	<input checked="" type="checkbox"/>	<input checked="" type="checkbox"/>	<input checked="" type="checkbox"/>	<input checked="" type="checkbox"/>	<input checked="" type="checkbox"/>	<input checked="" type="checkbox"/>	<input checked="" type="checkbox"/>	8 buttons	
	P1029	<input checked="" type="checkbox"/>	<input checked="" type="checkbox"/>	<input checked="" type="checkbox"/>	<input checked="" type="checkbox"/>	<input checked="" type="checkbox"/>	<input checked="" type="checkbox"/>	<input checked="" type="checkbox"/>	9 buttons	
Emergency switch		<input type="checkbox"/>	<input type="checkbox"/>	<input type="checkbox"/>	<input type="checkbox"/>	<input type="checkbox"/>	<input type="checkbox"/>	<input type="checkbox"/>	None	
		S	<input type="checkbox"/>	<input type="checkbox"/>	<input type="checkbox"/>	<input type="checkbox"/>	<input type="checkbox"/>	<input type="checkbox"/>	1b Basic specifications	
		S1	<input type="checkbox"/>	<input type="checkbox"/>	<input type="checkbox"/>	<input type="checkbox"/>	<input type="checkbox"/>	<input type="checkbox"/>	1a1b Contacts on-demand	
Contacts and control switches									None	
		P	P	P					MRP-RA0	
		H	H	H					MRF-RM1	
		M	M	M					MRS-R2A1	
		Y	Y	Y					MRS-R3A2	
		K	K	K					MRK-R2A1	
			A	A	A	A			HY-PA	1a
			B	B	B	B			HY-PB	1a-1a
			C	C	C	C			HY-PC	1a-1a
			D	D	D	D			HY-PD	2a-2a
			E	E	E	E			HY-PE	2a-2a
			A1	A1	A1	A1			HY-PA1	1a1b
			B1	B1	B1	B1			HY-PB1	1a1b-1a1b
		C1	C1	C1	C1			HY-PC1	1a1b-1a1b	
		E1	E1	E1	E1			HY-PE1	2a2b-2a2b	
		F	F	F	F			HY-PF	2a	
		F1	F1	F1	F1			HY-PF1	2a2b	
Other		Toggle switch and volume required by consumers, etc. Separate order available for mounting other options							Toggle switch (2rd 3rd)	
									Volume 1K,2K,3K,Etc	
									Ø 8~16 controller switches	

※ Except where  is indicated in the model configuration

### External dimensions

Model	Appearance	External dimensions		Model	Appearance	External dimensions	
HY-P1022 2 button				HY-P1022S 2 button +Push lock turn reset			

## External dimensions

Model	Appearance	External dimensions	Model	Appearance	External dimensions
HY-P1024 4 button			HY-P1024S 4 button +Push lock turn reset		
HY-1026 6 button			HY-1026S 6 button + 1 switch +Push lock turn reset		
HY-P1028 8 button			HY-P1028S 8 button + 1 switch +Push lock turn reset		
Model	Appearance	External dimensions			
HY-P1029S 6 button+ 3 switch +Push lock turn reset					

- New product  
Control switch
- High-end  
Control switch
- New product  
assembly  
Indicator light  
Rectangular  
Indicator light
- Power switch  
Main switch
- Cam switch
- Limit  
switch
- Micro  
switch
- Foot switch  
Mono lever  
switch
- Hoist  
switch